

WINS VIDEO & TELEMETRY DOWNLINK WINS-D

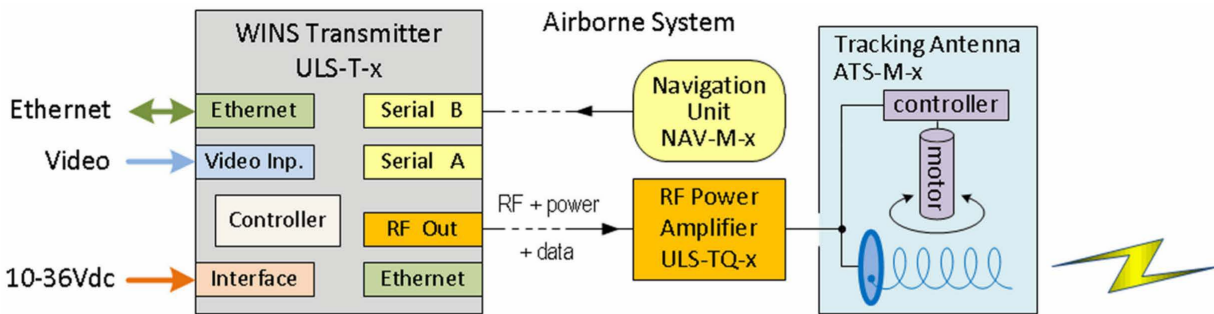
KEY FEATURES

- frequency range 4.9-5.8 GHz (other frequencies on request)
- RF bandwidth 5 to 8 MHz
- 10 to 36 Vdc isolated power supply
- communication ports: RS232 and Ethernet 100Base-TX
- Modulation: QPSK, QAM16, QAM64
- FEC: 1/2, 2/3, 3/4, 5/6, 7/8
- Guard Interval: 1/4, 1/8, 1/16, 1/32
- analog & digital video in/out
- additional telemetry channel
- Modulation: DVB-T and ATSC

DESCRIPTION

under construction

FUNCTIONAL BLOCK DIAGRAM



WINS Video & Telemetry Downlink

